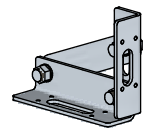
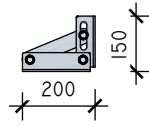


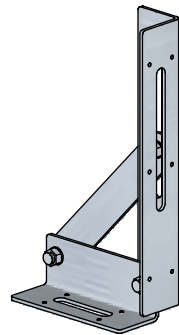
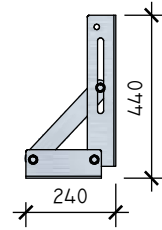
FAST FORM BRACKET SYSTEM

SCALE 1:10 / 1:20

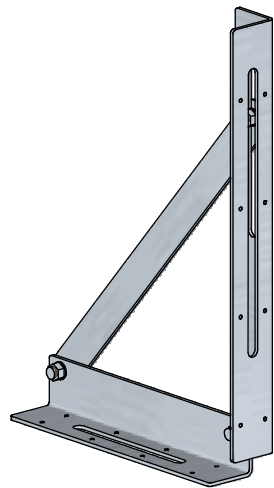
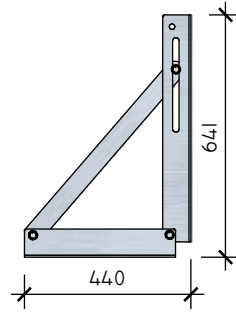
BRACKET
150/200



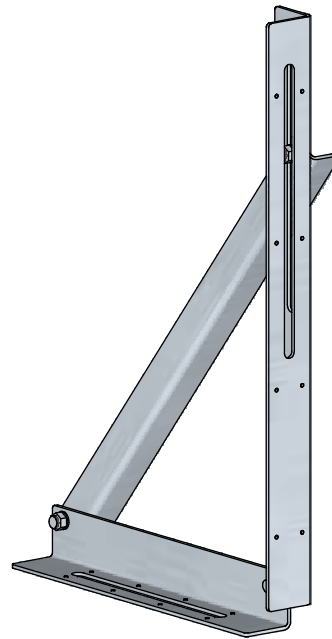
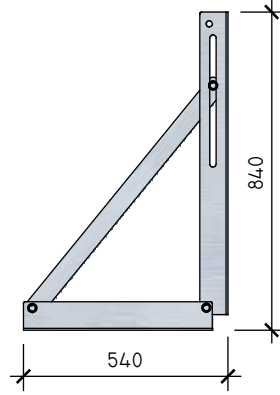
BRACKET 'A'



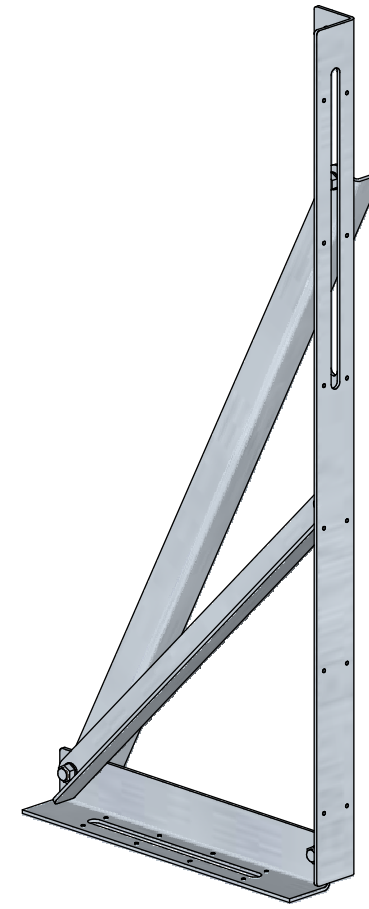
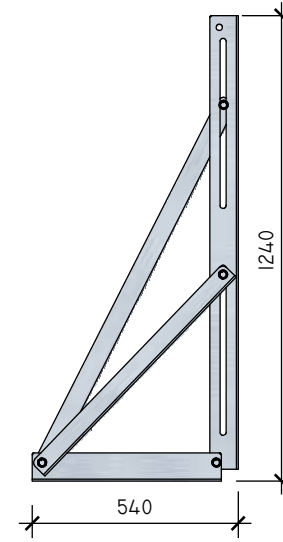
BRACKET 'B'



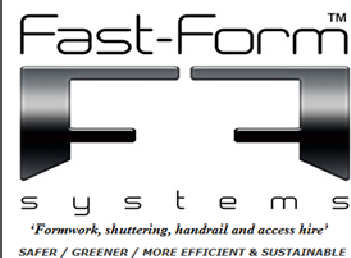
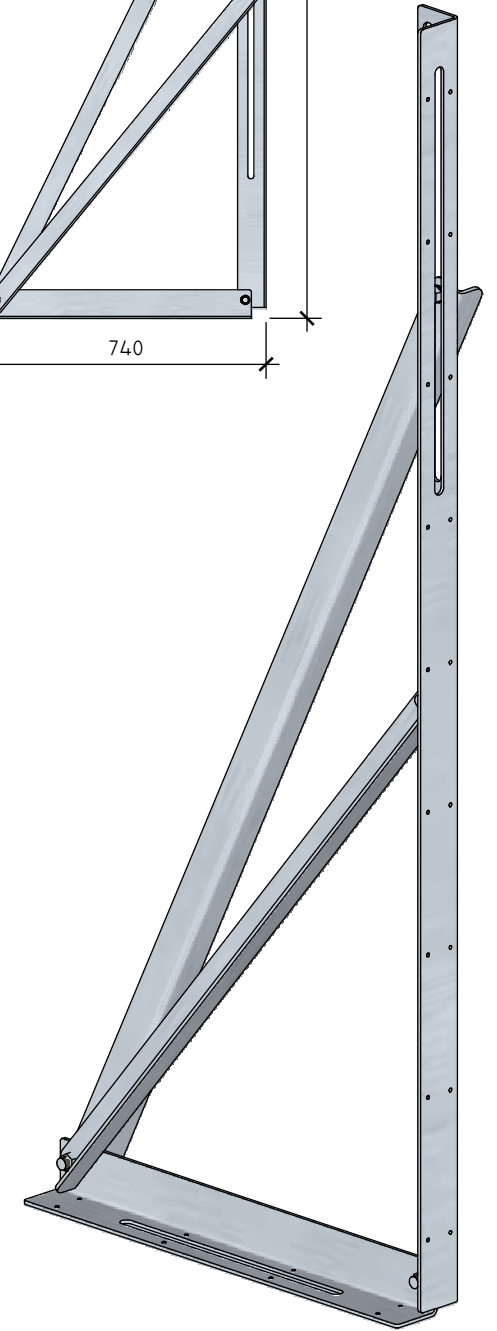
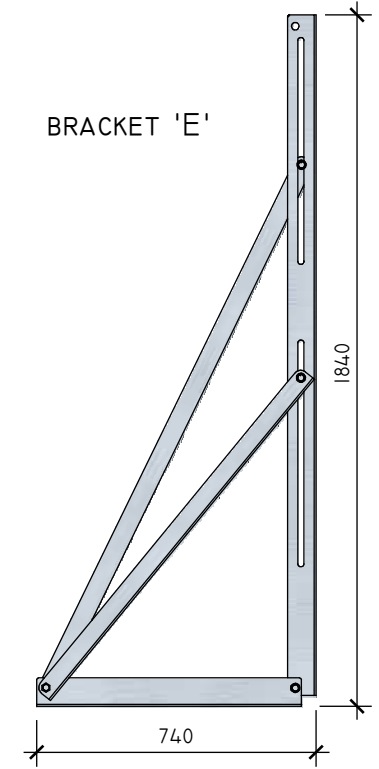
BRACKET 'C'



BRACKET 'D'



BRACKET 'E'



www.fastformsystems.com

info@fastformsystems.com

South Tel: 0207 1481274
North Tel: 08456 171152



Head Office:
Unit 1
Topcat Industrial Estate
Estate road 8
Grimsby
N.E.Lincs
DN31 2TG

LEGAL NOTICE:

Fast Form™ is the Trade Mark of Fast-Form Systems Ltd and all copyright and intellectual property belong to the company. Fast Form™ is Patent granted, Patent number GB2508263 and is covered by a Worldwide Patent PCT/GB2014/052586 and further patent application No 1506126.0. Copyright or Trade Mark infringements will be prosecuted. If you see any similar bracket in operation without our name on it please send us an email to info@fastformsystems.com we offer a reward for all successful prosecutions.

Drawn By: Karol Podsiadlo

Date: 28/10/15

Rev: 0

Project: Fast Form Bracket System

Drawing title: Fast Form Bracket System